

NTM36

HOUSING FOR THERMAL CAMERAS IN HOSTILE ENVIRONMENTS



DESCRIPTION

This housing for thermal camera provides the vision also in complete darkness, fog, rain, smoke or for long-range distances.

The germanium window has non-scratch treated, Hard Carbon Coating (DLC) on the outside and antireflection inside; the spectral range is from 7.5 μ m to 14 μ m.

The AISI 316L stainless steel construction allows the installation in environments with highly corrosive external agents, such as marine, industrial or chemical environments.

MAIN FEATURES

Made of AISI 316L electropolished stainless steel

Germanium window

Cylindrical body enclosed by two 9mm(0.4in)-thick circular flanges

2 PG13.5 cable glands in nickel-plated brass for external connections

IP66/IP67/IP68/IP69

Available accessories: camera power supply

TECHNICAL DATA

GENERAL

Housing manufactured in polished stainless steel (austenitic stainless alloy steel resistant to corrosion and heat):

- AISI 316L
- UNI 6900-71: X 2 Cr Ni Mo 17 12 2
- DIN 17006: X 2 Cr Ni Mo 17 13 2
- N° werkstoff: 1.4404
- AFNOR: Z2 CND 17-12
- BSI: 316S11

The screws utilised are in austenitic alloy stainless steel, corrosion and heat resistant according to the following standards:

- ISO: 7380
- AISI: 316
- ISO quality: A4
- Resistance class ISO: from 50 to 70

MECHANICAL

Approximate useful internal dimensions:

- Standard versions (WxH): 88x86mm (3.5x3.4in)

Internal usable length:

- Standard versions: 334mm (13.1in)
- Versions with heating and/or power supply: 245mm (9.6in)

External dimensions (ØxL): 154x358mm (6.1x14.1in)

Cable glands: 2xPG13.5 (nickel-plated brass for external connections)

Flange thickness: 6mm (0.24in) (front/back)

Gaskets: High sealing O-ring

Unit weight: 6kg (13.3lb)

HOUSING'S WINDOW

Germanium window:

- Usable diameter: 55mm (2.1in)
- Thick: 2mm (0.08in)
- External treatment: antiscratch (Hard Carbon Coating- DLC), antireflection
- Internal treatment: antireflection
- Spectral range: from 7.5µm up to 14µm
- Medium transmittance (from 7.5µm up to 11.5µm): 90%
- Medium transmittance (from 11.5µm up to 14µm): 77%

ELECTRICAL

Supply voltage/Current consumption (version with heater, Ton 15°C±3°C (59°F±5°F), Toff 22°C±3°C (72°F±5°F)):

- 12Vdc, 1.6A max
- 24Vac, 0.85A max, 50/60Hz
- 120Vac, 0.35A max, 50/60Hz
- 230Vac, 0.18A max, 50/60Hz

ENVIRONMENT

For indoors and outdoors installation

Submersible: up to -40m (-130ft) (pressure: 4bar)

Operating temperature (standard version, with heater): from -20°C (-4°F) up to +60°C (140°F)

Relative humidity: from 5% up to 95%

CERTIFICATIONS

Electrical safety (CE): EN60950-1, EN62368-1

Electromagnetic compatibility (CE): EN50130-4, EN61000-6-3

IP protection degree (EN60529): IP66, IP67, IP68, IP69

EAC certification

ACCESSORIES

NXCTPG13SS Kit of 2xPG 13.5 stainless steel cable glands IP68 for stainless steel housings

OHEH06B Heater 120Vac/230Vac

OHEH05B Heater 12Vdc/24Vac

ONXPS1B Wide range camera power supply IN from 100Vac up to 240Vac, 50/60Hz - OUT 12Vdc, 1.25A

ONXPS2B Camera transformer IN 230Vac, 50Hz - OUT 24Vac, 50Hz, 400mA

RELATED PRODUCTS

NXPTH Stainless steel P&T motor

BRACKETS AND ADAPTORS

NXWBS1 AISI 316L stainless steel wall bracket with joint

NXCOL AISI 316L stainless steel pole adapter module

NXCW AISI 316L stainless steel corner adapter module

NXWTU AISI 316L stainless steel adapter module for oblique surfaces

MHXWFWCA AISI 316L stainless steel ball joint

MHXWBS AISI 316L stainless steel wall bracket

SPARE PARTS

ONXM36MAN Maintenance kit for NXM36

PACKAGE

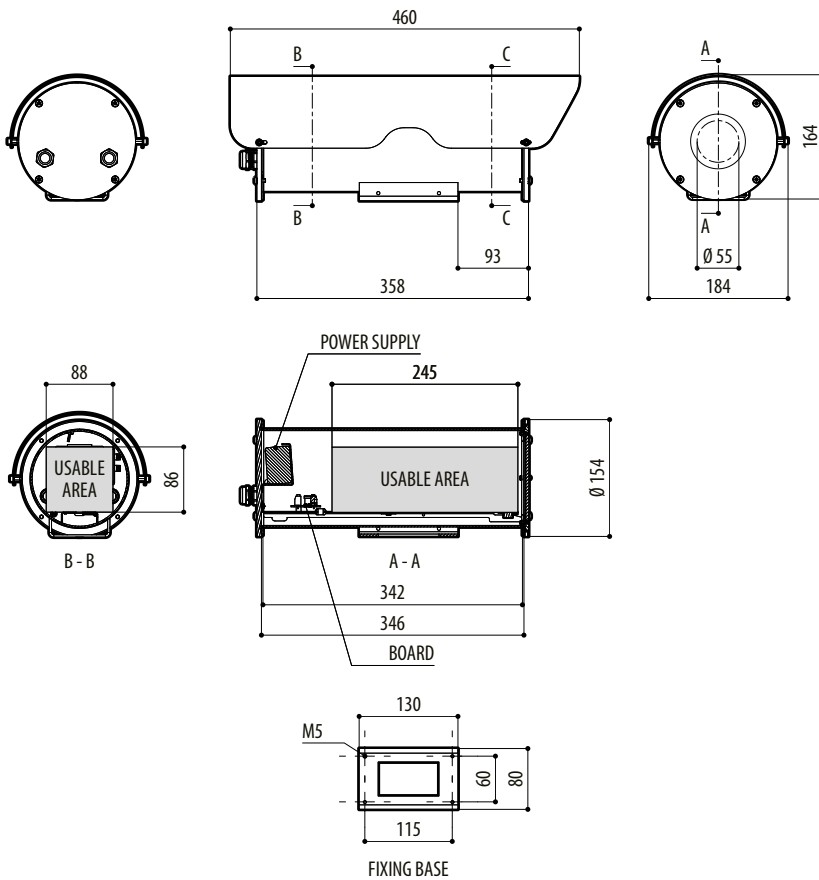
Model Number	Weight	Dimensions (WxHxL)	Master carton
NTM36	6.4kg (14lb)	29.5x19.5x49cm (11.6x7.7x3.8in)	-

NTM36 - MODEL IDENTIFICATION

Model Number	Sunshield	Heater 120Vac/230Vac	Heater 12Vdc/24Vac
NTM36K1000	√	√	-
NTM36K2000	√	-	√

TECHNICAL DRAWINGS

The indicated measurements are expressed in millimetres.



NTM36