

## DS-2CE16D8T-IT3ZE 2 MP Ultra-Low Light POC Camera



- 2 MP high performance bullet camera
- Strong night performance, capturing images in ultra-low light down to 0.003 lux
- Clear imaging even against strong back lighting due to 130 dB true WDR technology
- 3D DNR technology delivers clean and sharp images
- Lens focuses automatically when zooming in or out
- EXIR 2.0: advanced infrared technology with 80 m IR distance
- Water and dust resistant (IP67)
- Transmits both HD video and power over the same coaxial cable

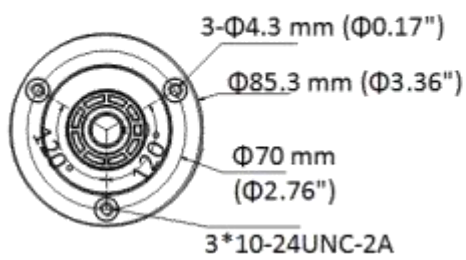
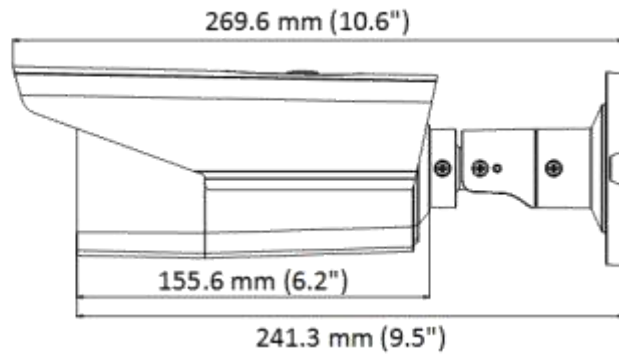
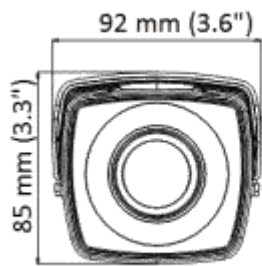
## ▪ Specification

Camera	
Image Sensor	2.0 megapixel progressive scan CMOS
Max. Resolution	1920 (H) × 1080 (V)
Min. Illumination	0.005 Lux @ (F1.87, AGC ON), 0 Lux with IR
Shutter Time	PAL: 1/25 s to 1/50,000 s; NTSC: 1/30 s to 1/50,000 s
Day & Night	IR Cut Filter
Angle Adjustment	Pan: 0 to 360°, Tilt: 0 to 90°, Rotate: 0 to 360°
Signal System	PAL/NTSC
Lens	
Lens Type	2.8 mm to 12 mm motorized vari-focal lens
Focal Length & FOV	32.1° to 103°
Lens Mount	Φ14
Illuminator	
Supplement Light Range	Up to 80 m
Image	
Image Settings	Brightness, Mirror, Smart IR, Sharpness, AGC
Frame Rate	PAL: 1080P@25fps NTSC: 1080P@30fps
Day/Night Mode	Auto/Color/BW (Black and White)
Wide Dynamic Range (WDR)	≥120 dB
Image Enhancement	WDR, BLC
Privacy Mask	4 programmable privacy masks
Noise Reduction	3D DNR
White Balance	Auto/Manual
Interface	
Video Output	1 HD analog output
Event	
Motion Detection	4 programmable motion areas
General	
Power	12 VDC ±25%/PoC.at, max. 8.2 W
Material	Metal
Dimension	92 mm × 89 mm × 269.6 mm (3.62" × 3.5" × 3.34")
Weight	Approx. 900 g (1.98 lb.)
Operating Condition	-40 °C to 60 °C (-40 °F to 140 °F), humidity 90% or less (non-condensing)
Communication	HIKVISION-C
Language	English
Approval	
Protection	IP67

## ▪ Available Model




DS-2CE16D8T-IT3ZE

▪ **Dimension**



▪ **Accessory**

▪ **Optional**

DS-1275ZJ-SUS Vertical pole mount	DS-1276ZJ-SUS Corner mount	DS-1280ZJ-S Junction box
		



**Headquarters**

No.555 Qianmo Road, Binjiang District,  
Hangzhou 310051, China  
T +86-571-8807-5998  
www.hikvision.com



Follow us on social media to get the latest product and solution information.

