

DS-2CE56D8T-IT3E 2 MP Ultra-Low Light POC Camera



- 2 MP high performance turret camera
- Strong night performance, capturing images in ultra-low light down to 0.003 lux
- Clear imaging even against strong back lighting due to 130 dB true WDR technology
- 3D DNR technology delivers clean and sharp images
- EXIR 2.0: advanced infrared technology with 60 m IR distance
- Water and dust resistant (IP67)
- Transmits both HD video and power over the same coaxial cable

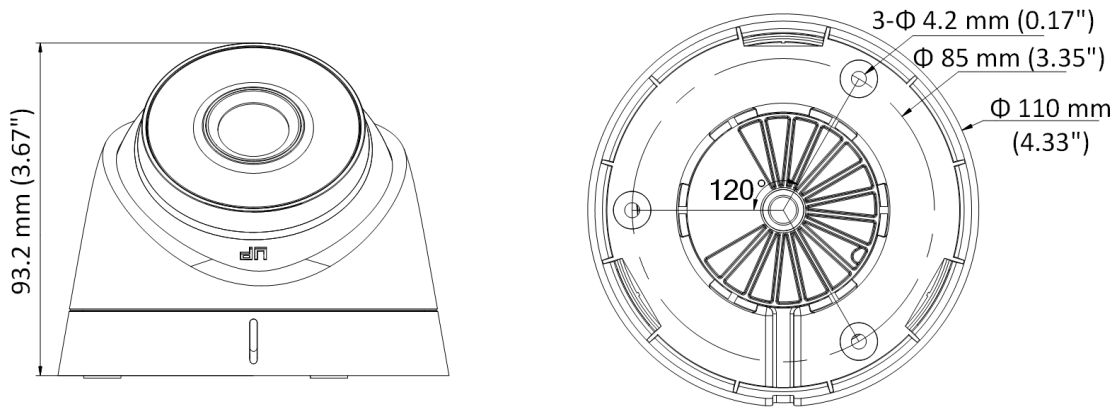
▪ Specification

Camera	
Image Sensor	2.0 megapixel progressive scan CMOS
Max. Resolution	1920 (H) × 1080 (V)
Min. Illumination	0.005 Lux @ (F2.0, AGC ON), 0 Lux with IR
Shutter Time	PAL: 1/25 s to 1/50,000 s; NTSC: 1/30 s to 1/50,000 s
Day & Night	IR Cut Filter
Angle Adjustment	Pan: 0° to 360°, Tilt: 0° to 75°, Rotate: 0° to 360°
Signal System	PAL/NTSC
Lens	
Lens Type	2.8 mm, 3.6 mm, 6 mm, 8mm, 12mm fixed focal lens
Focal Length & FOV	103.5° (2.8 mm), 82.6° (3.6 mm), 54.4° (6 mm), 38° (8 mm), 24.4° (12 mm)
Lens Mount	M12
Illuminator	
Supplement Light Type	IR
Supplement Light Range	Up to 40 m
Smart Supplement Light	Yes
Image	
Image Settings	Brightness, Mirror, Sharpness, AGC
Frame Rate	PAL: 1080p@25fps NTSC: 1080p@30fps
Day/Night Mode	Auto/Color/BW (Black and White)
Wide Dynamic Range (WDR)	≥120 dB
Image Enhancement	BLC
Privacy Mask	4 programmable privacy masks
Noise Reduction	3D DNR
White Balance	Auto/Manual
Interface	
Video Output	1 HD analog output
Event	
Motion Detection	4 programmable motion areas
General	
Power	12 VDC ±25%/PoC.af, max. 3.6 W
Material	Metal
Dimension	Φ 110 mm × 93.2 mm (Φ 4.33" × 3.67")
Weight	350 g (0.77 lb.)
Operating Condition	-40 °C to 60 °C (-40 °F to 140 °F), humidity: 90% or less (non-condensation)
Communication	HIKVISION-C
Language	English
Approval	
Protection	IP67

▪ Available Model






DS-2CE56D8T-IT3E

▪ **Dimension**



▪ **Accessory**

▪ **Optional**

DS-1272ZJ-110-TRS Wall Mount	DS-1275ZJ-SUS Vertical Pole Mount	DS-1276ZJ-SUS Corner Mount	DS-1280ZJ-S Junction Box	DS-1281ZJ-S Inclined Ceiling Mount
				

Headquarters

No.555 Qianmo Road, Binjiang District,
Hangzhou 310051, China
T +86-571-8807-5998
www.hikvision.com



Follow us on social media to get the latest product and solution information.

