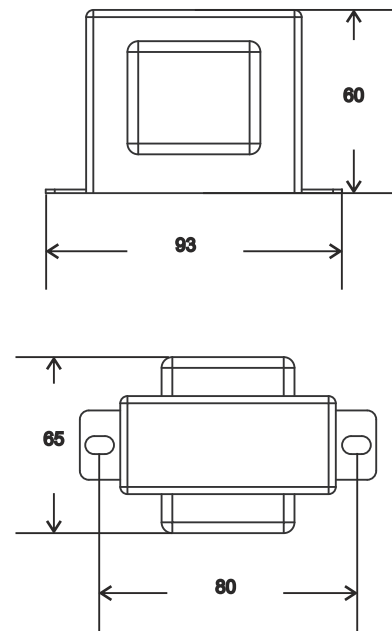


CODE: **AWT070** v.1.0
 NAME: **Transformer EI 40VA/16V/18V**



DESCRIPTION

Transformers are intended for supplying devices requiring AC power supply insulated from 230V AC mains. Transformers have build-in thermal protection in case of overload.

TECHNICAL SPECIFICATION

MH070 – transformer EI40VA/16V/18V

Input voltage	230V AC / 50Hz
Power	40VA
Outputs	16V / 2,2A or 18V / 2,0A
Protection	fuse T315mA in lead circuit
Thermal protection	fuse 130°C - non resettable (fuse in transformers winding)
Dimensions	W 93mm, H 60mm, D 65mm, A=80mm
Weight net/gross	1,04kg / 1,08kg [+/-0,1kg]
Wires length:	
Primary winding	120mm ±10mm
Secondary winding	400mm ±10mm
The equipment	kit for mounting in housing or din rail
Operating conditions	2nd environmental class, -10°C+ 40°C, Ta 40 B

